

11338JE for Evaporator

DC Axial Fan

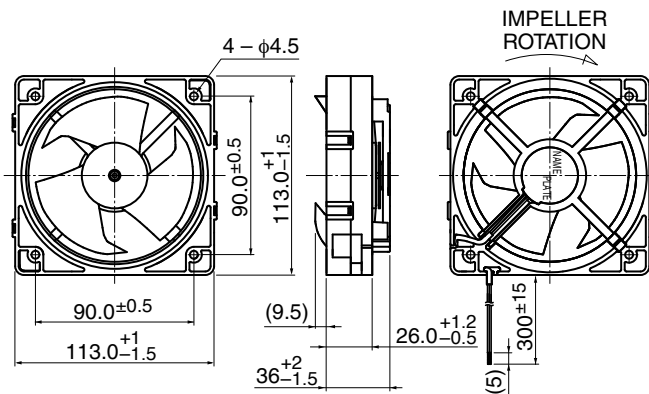
113[□]X36^L



General Specifications

Motor Protection	Auto Restart
Insulation Resistance	10MΩ or over with a DC500V Megger
Dielectric Withstand Voltage	: AC700V 1s
Allowable Ambient	: -40°C ~ +40°C (Operating)
Temperature Range	-40°C ~ +70°C (Storage)
	non-condensing environment

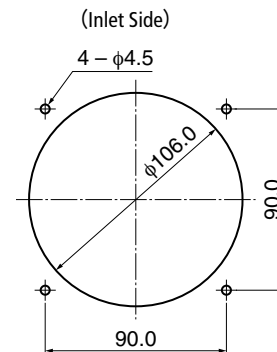
Outline



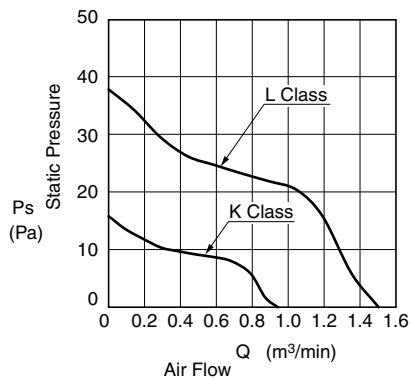
Expected Life ※ Failure Rate: 10% (L10 Life)

-20°C 70,000 (Hours)

Panel Out-cuts



Characteristic Curves



Material

Casing	: Plastic (Black) UL94V-0
Impeller	: Plastic (Green) UL94HB
Bearing	: Ball Bearing
Lead Wire	: UL1007 AWG26 + : Red, - : Black

Specifications

Model	Product No.	Rating Voltage	Operating Voltage	Current	Input Power	Speed	Max. Air Flow		Max. Static Pressure		Noise	Mass
		(V)	(V)				(m³/min)*1	(CFM)*1	(Pa)	(In H ₂ O)		
11338JE-12K-BA-	F0	12	7.0 ~ 13.8	0.06	0.72	1920	0.94	33.2	15.9	0.06	21.5	170
11338JE-12L-BA-	F0			0.13	1.56	2900	1.50	53.0	38.0	0.15	32.5	

Rotation: Clockwise as seen from the label side
Airflow Outlet: Label side

*1: Average Values in Free Air